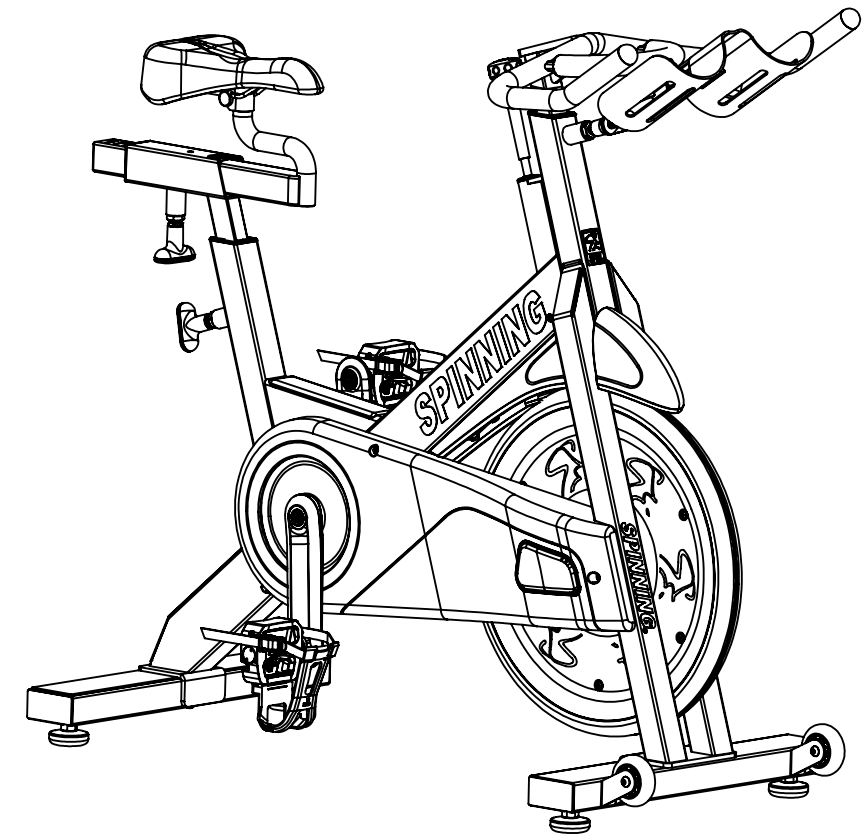
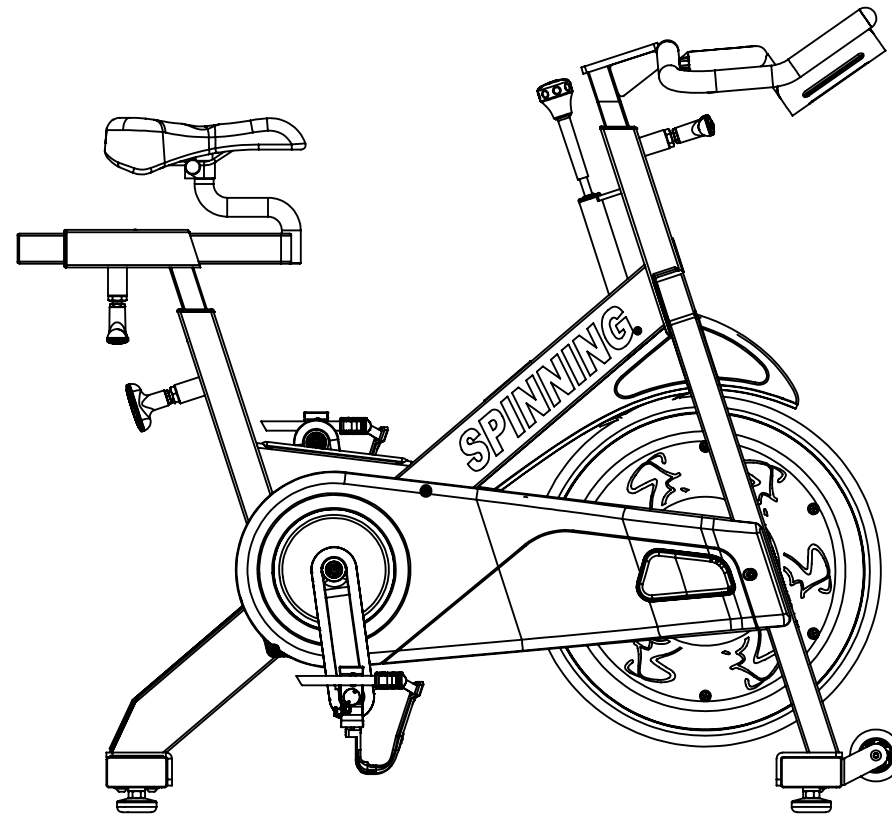
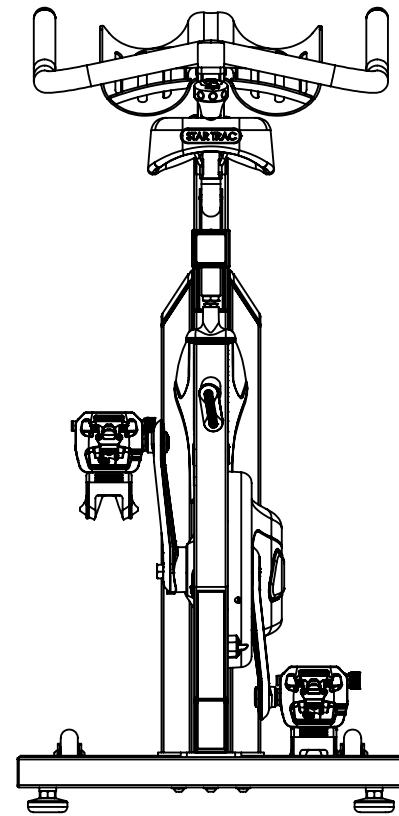
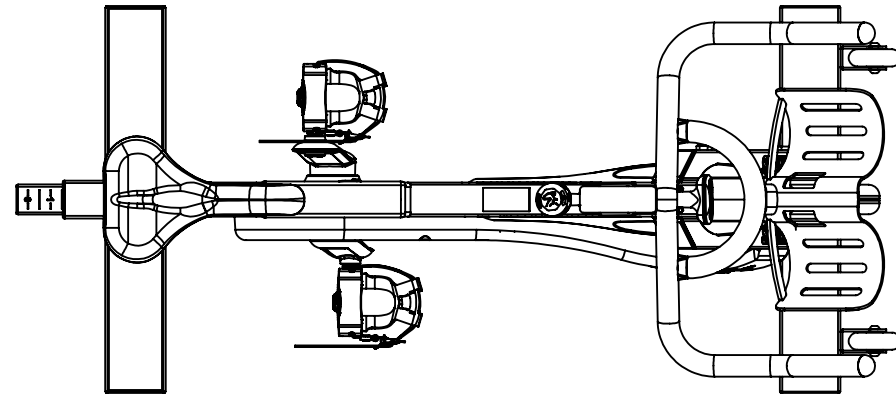


REVISIONS				
REV	DATE	DESCRIPTION	ECO	BY
A	5/23/13	PRODUCTION	14135	OT



DOCUMENT STATUS:

NOTICE OF PROPRIETARY INFORMATION
 THIS DOCUMENT SHALL NOT BE REPRODUCED NOR SHALL THE INFORMATION CONTAINED HEREIN BE USED BY OR DISCLOSED TO OTHER EXCEPT AS EXPRESSLY AUTHORIZED BY CORE INDUSTRIES, INC., D.B.A. STAR TRAC.

CLASS OF WORK	UNLESS OTHERWISE SPECIFIED DIMS ARE IN mm. TOLERANCES FOR MEASURE OF LENGTH ARE:							ANGLES = ±2°
	0.5 to 3	> 3 to 6	> 6 to 30	> 30 to 120	> 120 to 400	> 400 to 1000	> 1000 to 2000	
FINE	±0.05	±0.05	±0.1	±0.15	±0.2	±0.3	±0.5	----
MEDIUM X	±0.1	±0.1	±0.2	±0.3	±0.5	±0.8	±1.2	±2
COARSE	±0.2	±0.3	±0.5	±0.8	±1.2	±2	±3	±4
VERY COARSE	----	±0.5	±1	±1.5	±2.5	±4	±6	±8

MATERIAL
SEE BOM

FINISH
N/A

VENDOR: N/A

P/N: N/A

THIRD ANGLE PROJECTION



DRAWN	INITIAL OT	DATE 5/23/2013
CHECKED		
APPROVED		
	U.O.M.	MM

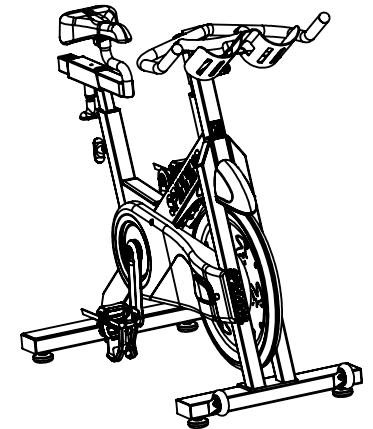
CORE INDUSTRIES, INC. DBA

 14410 Myford Road
 Irvine CA 92606

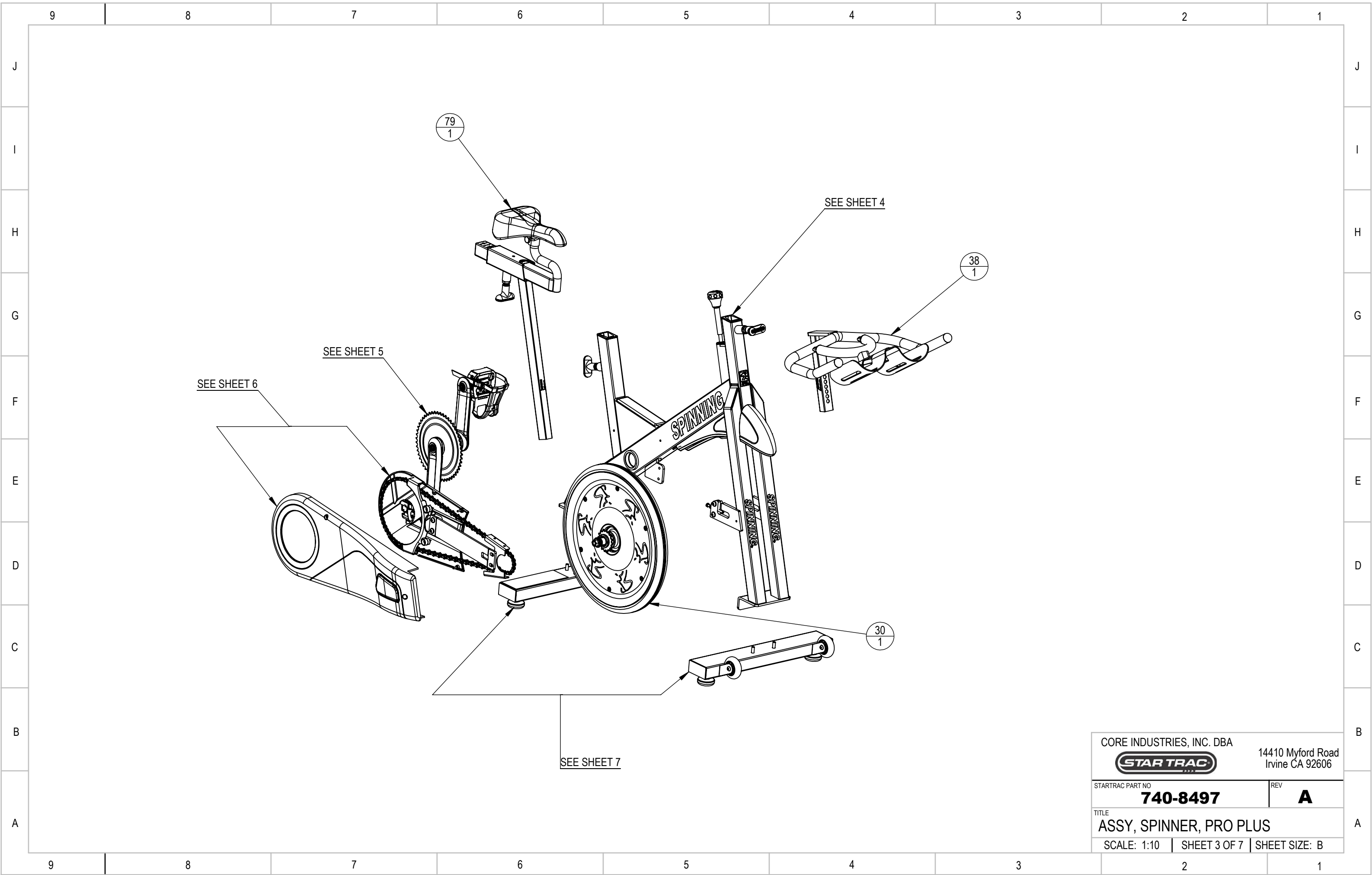
STARTRAC PART NO 740-8497	REV A
TITLE ASSY, SPINNER, PRO PLUS	
SCALE: 1:10	SHEET 1 OF 7
SHEET SIZE: B	

ITEM NO.	PART NUMBER	Description	QTY.
1	110-3506	SCREW, M8x1.25, 30mm, BHCS, HK, SS	2
2	110-3506	SCREW, M8x1.25, 30mm, BHCS, HK, SS	2
3	731-0585	WASHER, M4	5
4	740-6852	ASSY, FOOT, FRONT, ELITE/PRO, 7080/7070	1
5	740-7050	ASSY, FRONT LEG, COATING	1
6	740-7051	ASSY, FRONT LEG, WELD	1
7	740-7023	ASSY, FOOT, W/ OVER MOLD	4
8	740-7173	NUT, 1/2-13, HEX, CS, BO	2
9	740-7187	SCREW, M6X1.25X10, BHC, HE, SS	2
10	740-7097	BOLT, WHEEL, NXT	2
11	740-8006	WHEEL, FRONT FOOT, SPINNER	2
12	740-6853	ASSY, FOOT, REAR, ELITE/PRO, 7080/7070	1
13	740-7053	ASSY, BACK LEG, COATING	1
14	740-7054	REAR LEG, WELD	1
15	740-7173	NUT, 1/2-13, HEX, CS, BO	2
16	740-7893	PAD, PROTECTOR, REAR FEET	2
17	740-6899	CHAIN, 112, TAYA	1
18	740-7146	WASHER, PLAIN, M8, SS	4
19	740-7147	SCREW, M8X1.25X60, BHC, HE, SS	4
20	740-7167	WASHER, LOCK, SPLIT, M6	2
21	740-7174	NUT, M6X1, HE, SS	2
22	740-7176	SCREW, M6X1.0X50, HHM, HE, SS	1
23	740-7193	LABEL, LOGO, STAR TRAC, SPINNER	1
24	740-7409	DECAL, SPINNING, FORKS	2
25	740-7412	HEAD BADGE, SPINNER	1
26	740-7413	LOGO, SPINNING, MAIN TUBE	2
27	740-7419	STICKER, WARNING	1
28	740-7450	WASHER, FLAT, M5, SS	4
29	740-7560	CRANK ARM, LEFT	1
30	740-7577	ASSY, FLYWHEEL	1
31	740-7586	WELDMENT, CRANK ARM	1
32	740-7603	FINGERGUARD, SPROCKET, 52T	1
33	740-7604	FINGER GUARD, 16T SPROCKET	1
34	740-7613	PEDAL, MORSE, LEFT	1
35	740-7614	PEDAL, MORSE, RIGHT	1
36	740-7812	SCREW, M4x0.7, 16mm, PHMS, PH, SS	5
37	740-7825	WASHER, 8.4MM ID x 16MM OD x 1.6 THK	4
38	740-7872	ASSY, H-BAR, WELD AND DIP	1
39	740-7883	CHAINGUARD, MAIN, C-STL	1
40	740-7989	GASKET, CHAINGUARD	1
41	740-7996	SCREW, M5 X 0.8, 30mm, SHCS, SS	1
42	740-7997	SCREW, M5 x 0.8, 16mm, SHCS, SS	3

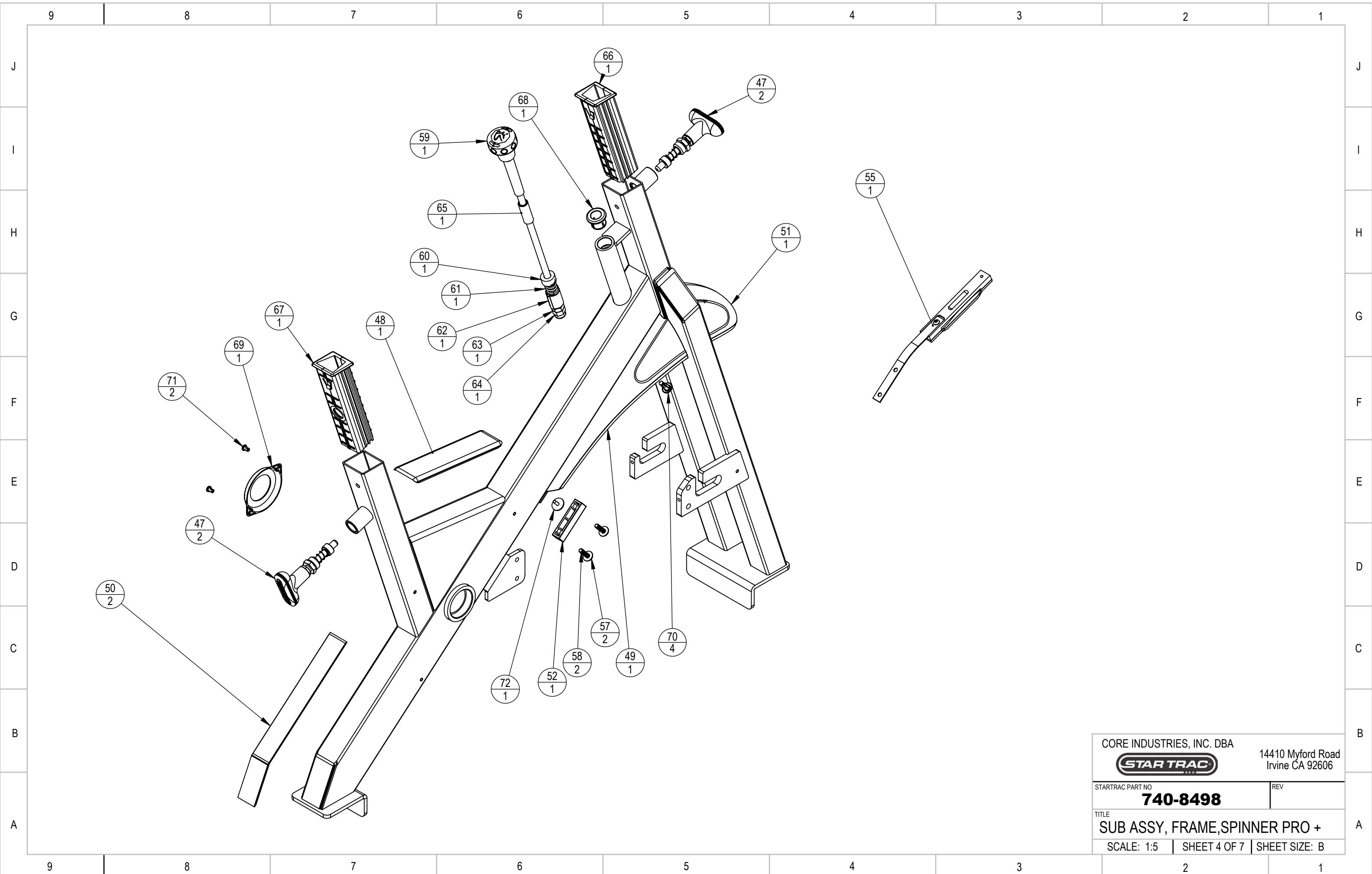
ITEM NO.	PART NUMBER	Description	QTY.
43	740-7999	SCREW, M6X1.0X50, HHM, HE, SS	1
44	740-8145	BOLT, M8, MORSE TAPER	4
45	740-8474	COVER, CHAIN, NDR, SPPRO+	1
46	740-7830	WELDMENT, FRAME, C-STL	1
47	740-7869	ASSY, POP PIN, C-STL	2
48	740-7894	COVER, GUSSET, STEPOVER	1
49	740-7133	FENDER, REAR, PRO	1
50	740-6909	PAD, STRETCH, RUBBER, 7080/7070	2
51	740-7134	FENDER, FRONT, PRO	1
52	740-7022	BLOCK, BRAKE RETAINER, SPINNER	1
53	740-7207	ASSY, SPINNER, BRAKE PAD	1
54	740-7182	SCREW, M5X0.8X10, BHC, HE, SS	1
55	740-7019	PLATE, BRAKE PAD	1
56	740-6872	KIT, ASSY, PAD, BRAKE, SPINNER, 7090/80/70/60	1
57	740-7164	WASHER, PLAIN, M6, SS	2
58	740-7175	SCREW, M6X1.0X25, HHM, HE, SS	2
59	740-7669	ASSY, KNOB, BRAKE, SPINNER	1
60	740-7598	CUSHION, BRAKE ASSY	1
61	740-7124	SPRING, BRAKE KNOB	1
62	740-7573	BUSHING, THREADED, BRAKE	1
63	740-7178	NUT, M10X1.5, HE, SS	1
64	740-7189	NUT, M10X1.5, ACORN, SS	1
65	740-7888	SLEEVE, BRAKE ROD, SP PRO+	1
66	740-7877	ASSY, SLEEVE, H-POST	1
67	740-7880	ASm, SLEEVE, SEATPOST, SPPRO+	1
68	740-8503	BUSHING, GUIDE, BRAKE ROD, SP PRO +	1
69	740-8504	COVER, BB, SP PRO +	1
70	740-6902	KIT, RIVET PUSH-PIN	4
71	740-7145	RIVET, PLASTIC SNAP	2
72	740-7886	WASHER, M5, NARROW	1
73	110-3572	SCREW, 4.2X16MM ST	1
74	740-8499	ASSY, SEAT/SEATPOST/SLIDER, SPINNER PRO PLUS	1
75	740-8481	WELDMENT, SEAT POST, C-STL	1
76	740-7869	ASSY, POP PIN, C-STL	1
77	740-7126	SLEEVE-50MM, SEAT POST, PRO	1
78	740-7874	WELD, SLIDER, SEAT, C-STL	1
79	727-0060	SEAT, VELO, SPINNER PRO	1
80	740-8500	BAR, CROSS, SPINNER PRO PLUS	1
81	740-7555	NUT, AXLE, B/B	1
82	740-8002	SPACER, BEARING, BB SPINNER	1
83	740-7553	BEARING, 6005 SERIES, 2RS	2
84	740-7554	B/B AXLE, MORSE TAPER	1
85	740-7916	M5 X 16MM, DOWEL PIN	2



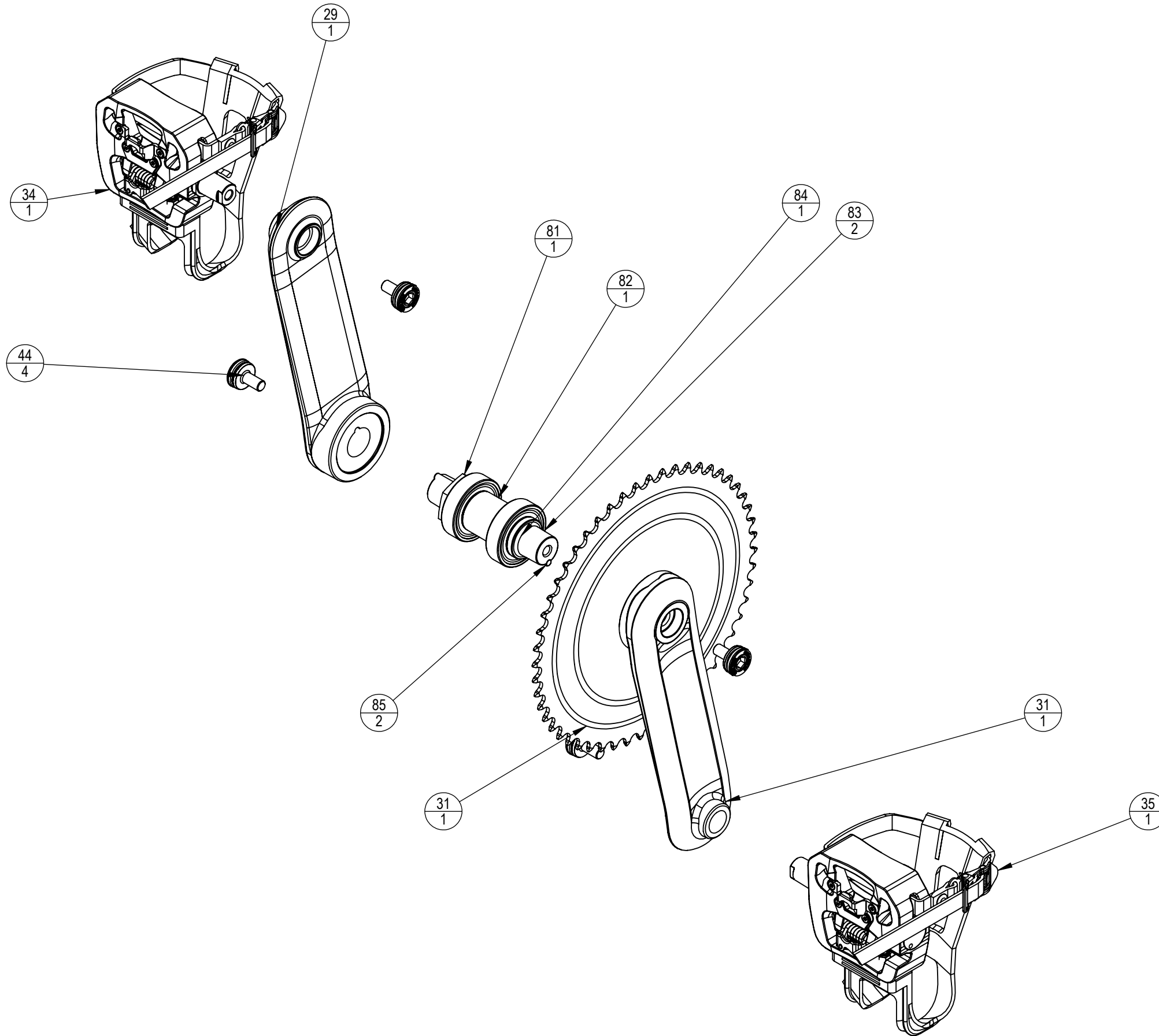
CORE INDUSTRIES, INC. DBA		14410 Myford Road Irvine CA 92606
STARTRAC PART NO	740-8497	REV A
TITLE ASSY, SPINNER, PRO PLUS		
SCALE: 1:20	SHEET 2 OF 7	SHEET SIZE: B



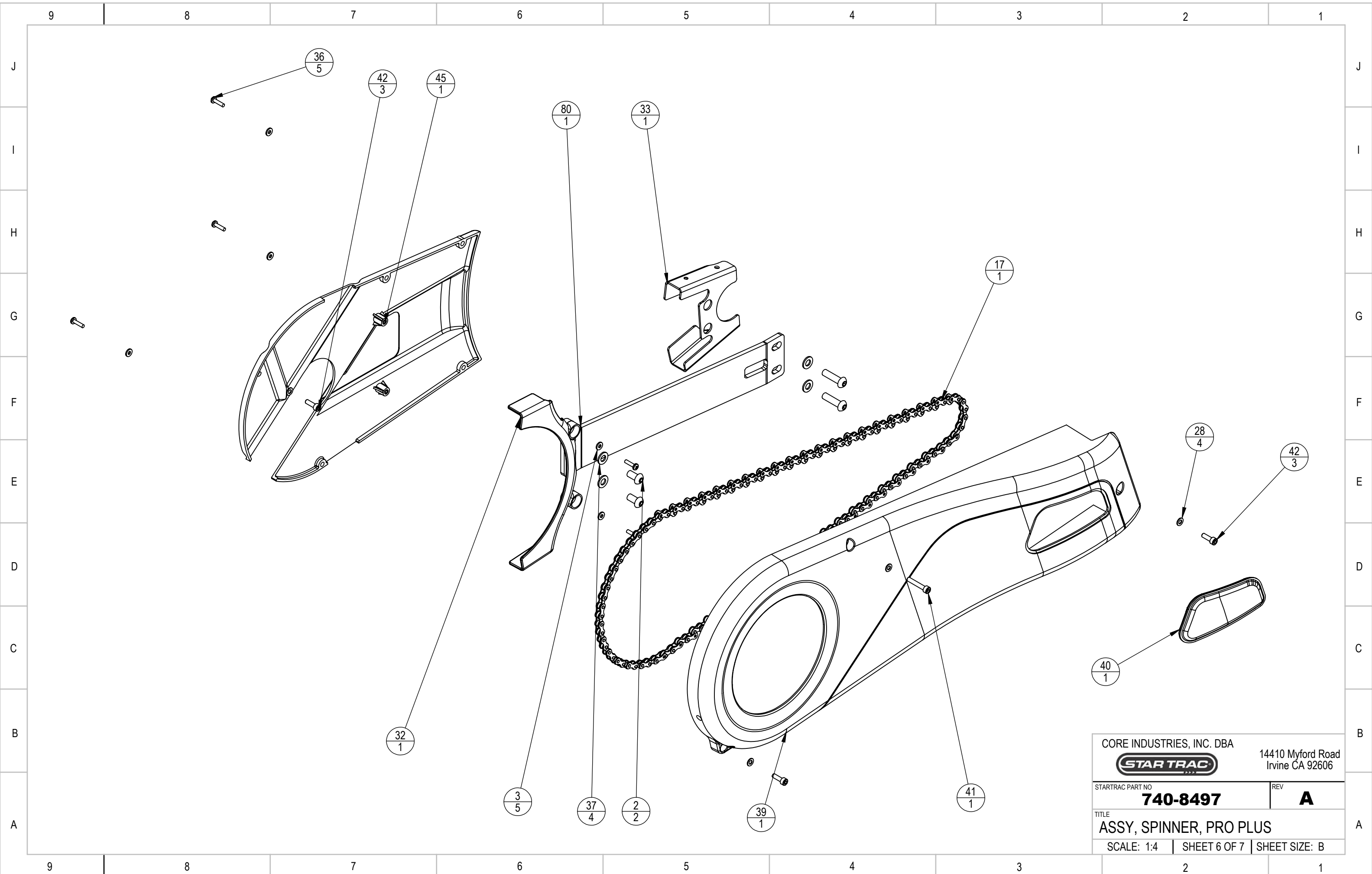
CORE INDUSTRIES, INC. DBA		14410 Myford Road
STAR TRAC		Irvine CA 92606
STARTRAC PART NO	740-8497	REV A
TITLE ASSY, SPINNER, PRO PLUS		
SCALE: 1:10	SHEET 3 OF 7	SHEET SIZE: B



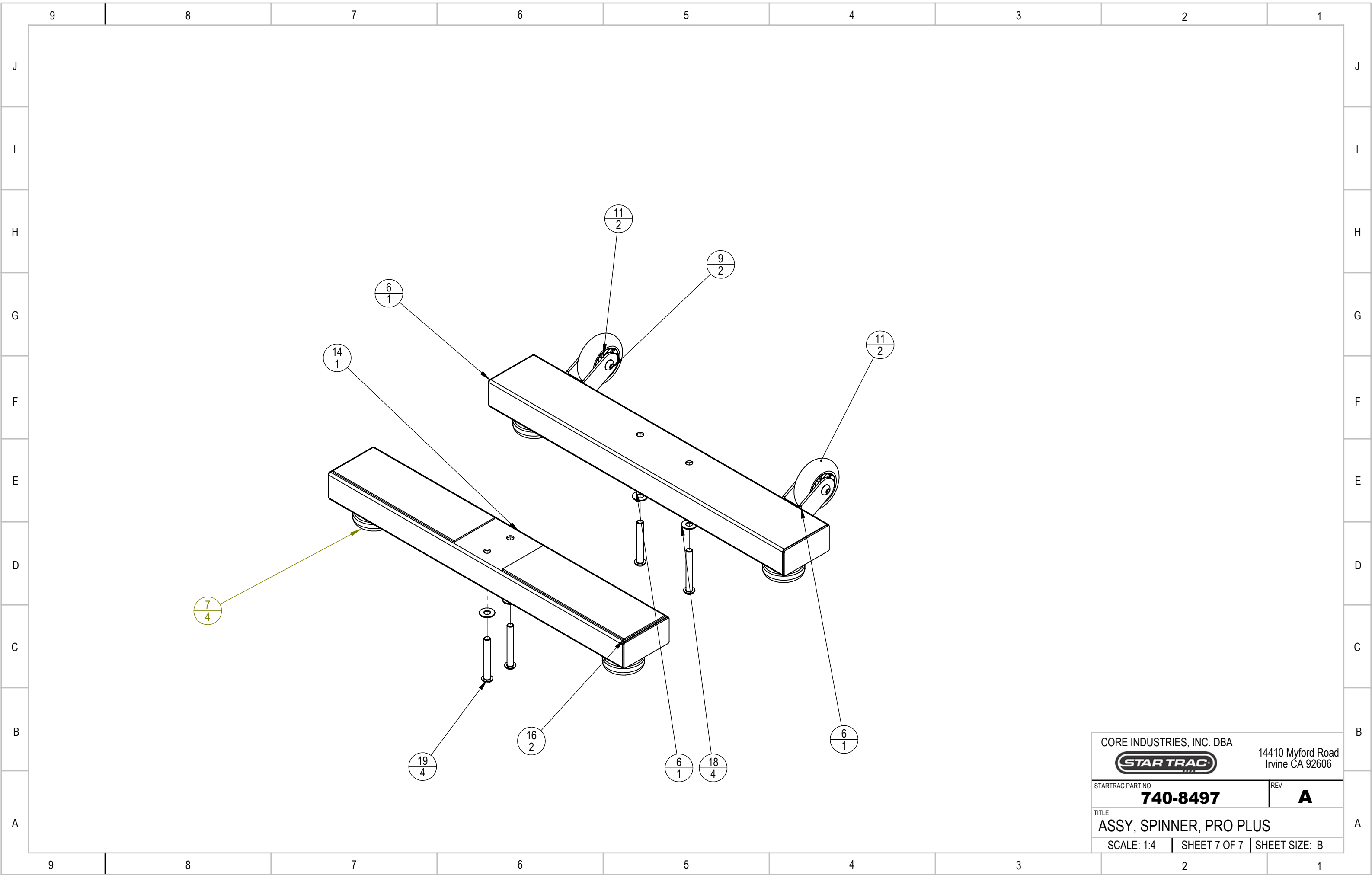
CORE INDUSTRIES, INC. DBA		14410 Myford Road
STAR TRAC		Irvine CA 92606
STARTRAC PART NO	REV	
740-8498		
TITLE		
SUB ASSY, FRAME, SPINNER PRO +		
SCALE: 1:5	SHEET 4 OF 7	SHEET SIZE: B



CORE INDUSTRIES, INC. DBA		14410 Myford Road
STAR TRAC		Irvine CA 92606
STARTRAC PART NO	740-8497	REV A
TITLE ASSY, SPINNER, PRO PLUS		
SCALE: 1:3	SHEET 5 OF 7	SHEET SIZE: B



CORE INDUSTRIES, INC. DBA		14410 Myford Road
STARTRAC		Irvine CA 92606
STARTRAC PART NO	740-8497	REV A
TITLE ASSY, SPINNER, PRO PLUS		
SCALE: 1:4	SHEET 6 OF 7	SHEET SIZE: B



CORE INDUSTRIES, INC. DBA		14410 Myford Road
STAR TRAC		Irvine CA 92606
STARTRAC PART NO	740-8497	REV A
TITLE ASSY, SPINNER, PRO PLUS		
SCALE: 1:4	SHEET 7 OF 7	SHEET SIZE: B